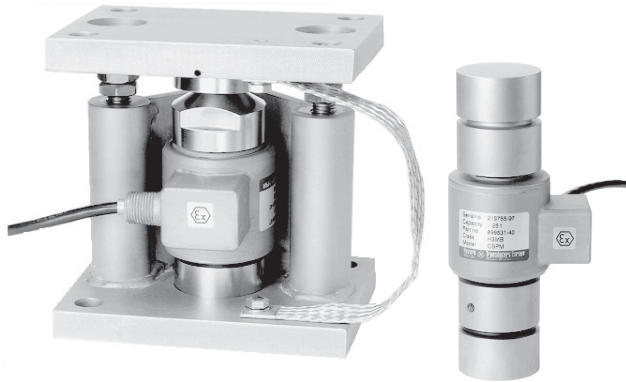


CSP-M Self Aligning Accessories



FEATURES

- Capacities: 10 - 60t
- Hardened components at all bearing surfaces
- Self aligning construction
- Built in horizontal movement control and lift-off protection
- Load cell (re)placement after installation of the mount

OPTIONAL FEATURES

- Stainless steel or Nickel plated steel versions available
- Versions with stay rod assemblies available
- Suitable also for SCC load cells

DESCRIPTION

The CSP-M self aligning mounts, combined with the CSP-M load cell family, provides weighing assemblies suitable for process control, silo and weighbridge applications.

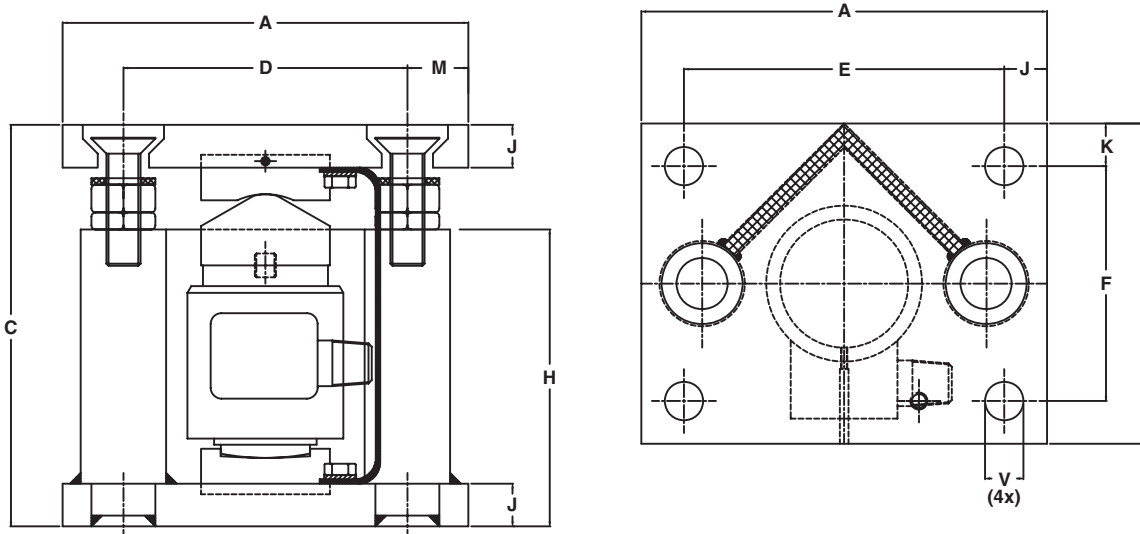
The CSP-M weighbridge mount is designed to be used in truck scale and rail scale applications. The mount ensures excellent signal stability and optimum performance. It can be used without stay or check rods.

The self aligning silo mount provides excellent load introduction to the transducer while maintaining an overall low profile. Hardened components are used at all load bearing surfaces.

APPLICATIONS

- Process control
- Silo and weighbridge applications
- Truck and rail scale applications

OUTLINE DIMENSIONS in mm



Capacity	A	B	C	D	E	F	H	J	K	M	V
10/ 25 ton	190	150	188	133	150	110	139	20	20	28.5	Ø18
40/ 60 ton	250	200	273	182	190	150	209	30	25	35	Ø22

ACCESSORIES

Self Aligning Weighbridge Mount

The CSP-M SA weighbridge mount allows a safe horizontal movement of 8 mm, while ultimate movement of up to 16 mm is accepted. Special care has been given to load safety margins and ease of installation.

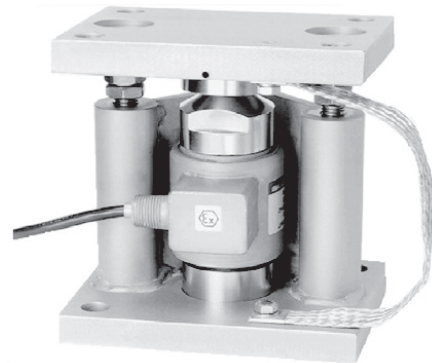
Combined with the CSP-M load cell family, the assembly provides excellent signal stability and measurement performance under off-centre loading conditions. The mount is made of corrosion resistive steel (DIN 1.2083) to guarantee long term reliability.



Self Aligning Silo Mount

The CSP-M self aligning silo mount is suitable for batch weighing, process control and silo/hopper applications. The mount tolerates controlled movement in all directions. The top plate is held captive eliminating, in most cases, the need for additional stay or check rods. Where major load movement is anticipated, a version with a built-in stay rod is available.

The silo mount allows the load cell to be fitted or removed after installation of the mount. All load bearing surfaces are made of hardened corrosion resistive steel (DIN 1.2083).



FURTHER INFORMATION

FURTHER INFORMATION		Height, assembly + CSP-M (10/25t)		Height, assembly + CSP-M (40/60t)	
Weighbridge Mount	mm	216		260	
Silo Mount	mm	188		273	
Silo Mount with Stay Rod	mm	190		274	
Mount	Assembly guidelines	Outline drawing (10/25t)		Outline drawing (40/60t)	
		Stainless steel*	Nickel plated	Stainless steel*	Nickel plated
Weighbridge Mount	AG 09/06-101/02	899953-41	-	899953-40	-
Silo Mount	AG 12/06-102/02	499050-10	499050-00	499051-10	499051-00
Silo Mount with Stay Rod	-	499059-10	499059-00	499060-10	499060-00

* Load bearings are made of hardened steel, material DIN number: 1.2083

Disclaimer

All product specifications and data are subject to change without notice.

Vishay Precision Group, Inc., its affiliates, agents, and employees, and all persons acting on its or their behalf (collectively, "Vishay Precision Group"), disclaim any and all liability for any errors, inaccuracies or incompleteness contained herein or in any other disclosure relating to any product.

Vishay Precision Group disclaims any and all liability arising out of the use or application of any product described herein or of any information provided herein to the maximum extent permitted by law. The product specifications do not expand or otherwise modify Vishay Precision Group's terms and conditions of purchase, including but not limited to the warranty expressed therein, which apply to these products.

No license, express or implied, by estoppel or otherwise, to any intellectual property rights is granted by this document or by any conduct of Vishay Precision Group.

The products shown herein are not designed for use in medical, life-saving, or life-sustaining applications unless otherwise expressly indicated. Customers using or selling Vishay Precision Group products not expressly indicated for use in such applications do so entirely at their own risk and agree to fully indemnify Vishay Precision Group for any damages arising or resulting from such use or sale. Please contact authorized Vishay Precision Group personnel to obtain written terms and conditions regarding products designed for such applications.

Product names and markings noted herein may be trademarks of their respective owners.